

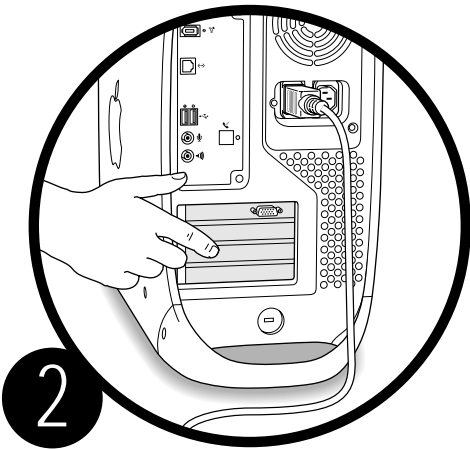


Installing the AirPort Card

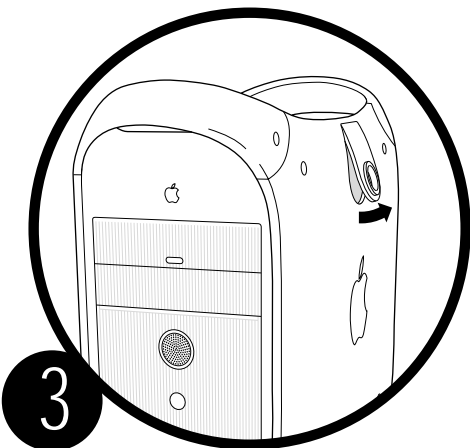
Includes instructions for installing
the AirPort Card in a Power Mac G4 computer



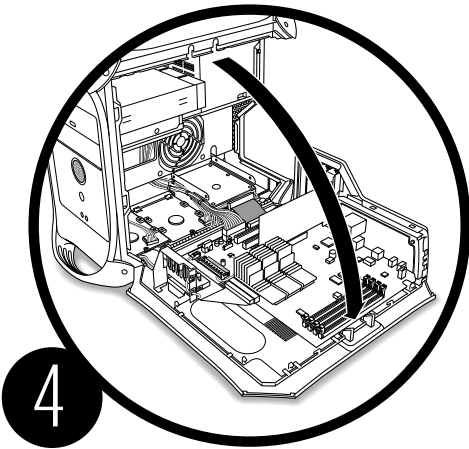
Shut down the computer (choose Shut Down from the Special menu) and unplug all cables except the power cord.



Touch the metal PCI access covers on the back of the computer to discharge static electricity.
Avoid walking around until you've finished installing the card.

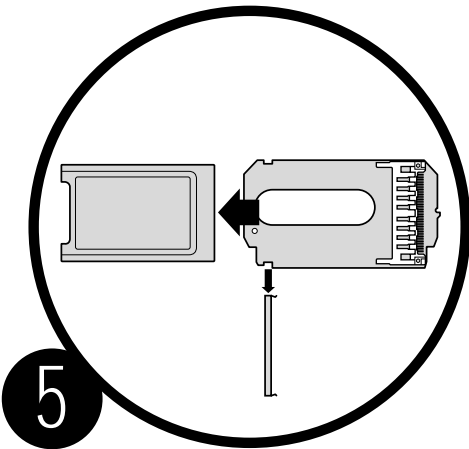


Unplug the power cord. Then lift the latch on the side of the computer.



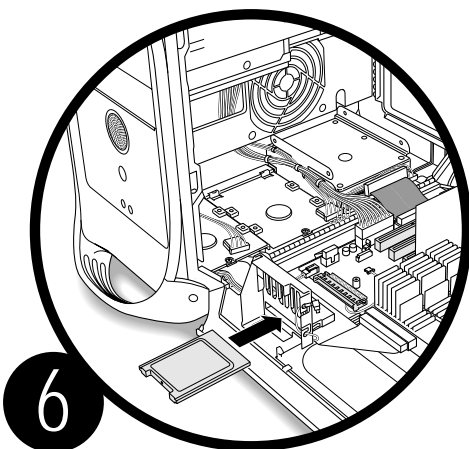
Gently lower the side panel onto a clean, flat surface.

Lower it onto a soft cloth to avoid scratching the case.

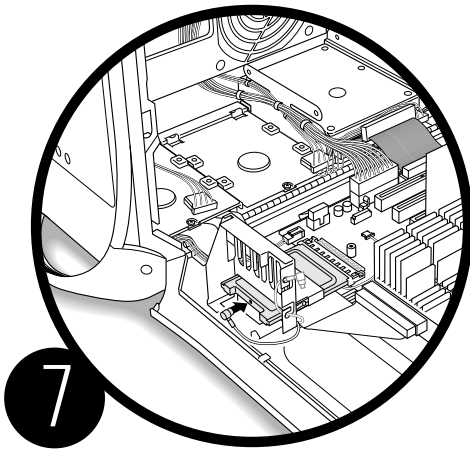


Remove the metal clip and pull the AirPort Card from the iMac AirPort Card adapter.

The adapter and clip are not used with your Power Mac.

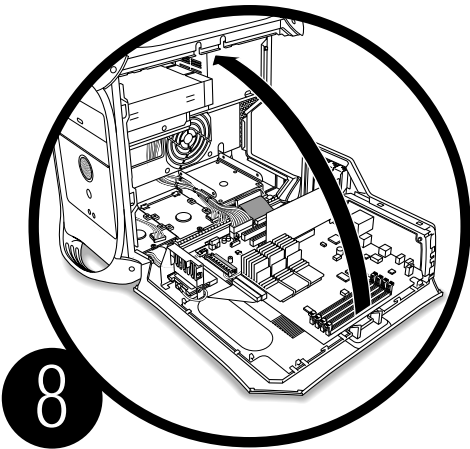


Insert the AirPort Card through the opening in the PCI card guide, and into the connector on the main logic board.

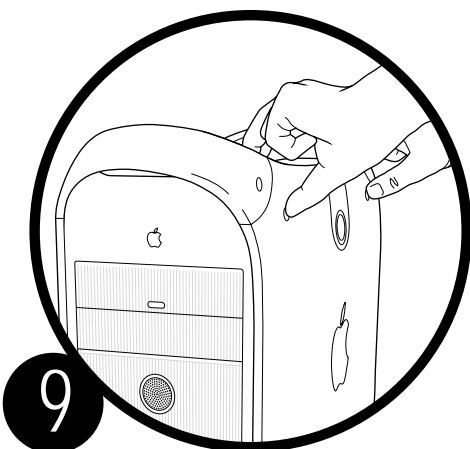


Connect the antenna cable to the connector on the end of the AirPort Card.

The cable is usually stowed on the side of the PCI card guide.



Raise the side panel and press it against the case.



Squeeze the side panel until it snaps into place.

For instructions on using the AirPort software, look in Mac Help, available in the Help menu.