

Congratulations on your purchase of the Apple VideoPhone Kit. You can use the equipment in your kit to exchange live video and sound, view and annotate content in a shared window, and transfer files with other users.

If you install the optional Farallon Timbuktu Pro software, you can also use the shared desktop feature to share applications with other Timbuktu Pro users and observe or control their computers while conferencing. (An additional 8 MB of random-access memory [RAM] is required for Timbuktu Pro.)

You can connect with other Apple VideoPhone users or users with compatible conferencing software (such as Netscape's audioconferencing software for Macintosh, Windows, and UNIX®) over

- a high-speed local area network (LAN), such as Ethernet
- the Internet, using a standard V.34 28.8 kbps modem, an ISDN modem, an ISDN-to-Ethernet router, or a direct Ethernet connection (To access the Internet, you must have an Internet Service Provider.)

*Note:* If you're videoconferencing over the Internet, the quality of video and sound will vary depending on Internet traffic, the type of computer you are using, and network bandwidth.

## What's in this booklet

This booklet contains information on how to

- connect the camera to your computer, and adjust the camera
- install the Apple VideoPhone conferencing software
- make calls over the Internet, using your Apple VideoPhone Kit and a standard V.34 28.8 kbps modem or an ISDN modem

In addition, you will find technical specifications for the camera.

**IMPORTANT** For onscreen instructions on using the camera and software, open the Apple VideoPhone program and choose Apple VideoPhone Guide from the Guide (Ⓜ) menu. The Guide is your resource for all information about using the Apple VideoPhone software. For more information on using onscreen Guides, see the manual that came with your computer.

For additional information, consult the QuickTime Conferencing World Wide Web site, located at the following address: <http://qtc.quicktime.apple.com>.

## System requirements

To install and use the Apple VideoPhone Kit, you must have the following:

- an AV-equipped Macintosh computer with a PowerPC™ microprocessor and 16 MB of RAM (An additional 8 MB of RAM is required for Timbuktu Pro.)
- system software version 7.5.3 or later (System 7.5.3 is provided in this kit.) It is recommended that you install the System 7.5.5 Update (also provided in this kit).
- a microphone (For instructions on how to connect the microphone to your computer, see the manual that came with your computer.)
- a pair of speakers or headphones (recommended)



## Care and cleaning instructions

For your own safety and that of your equipment, always take the following precautions:

- Keep your camera away from sources of liquids, such as washbasins, bathtubs, shower stalls, and so on.
- Protect your camera from dampness or wet weather, such as rain, snow, and so on.
- Keep these instructions handy for reference by you and others.

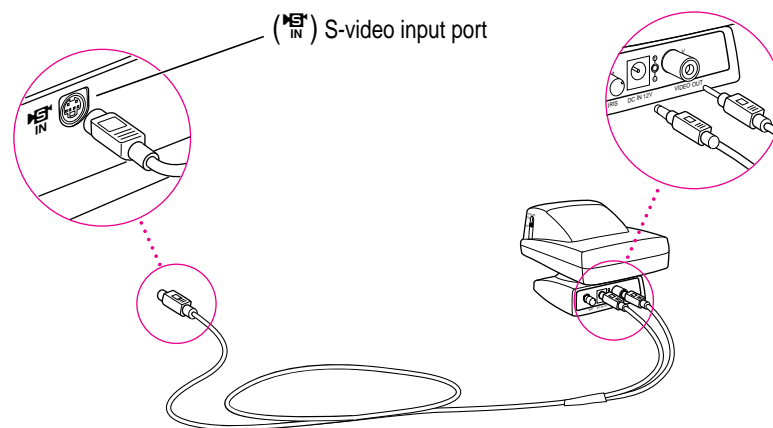
To clean the camera, do the following:

- 1 **Make sure the camera is disconnected from the computer.**
- 2 **Wipe plastic surfaces lightly with a clean, soft cloth dampened with water.**
- 3 **Clean the lens only with tissue intended for camera lenses, available from any photographic supply store.**

## Connecting the camera to your Macintosh

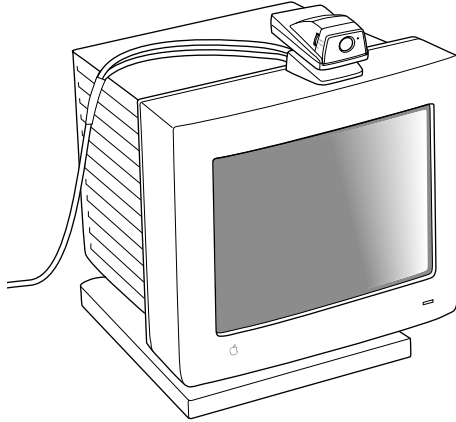
- 1 **Turn off the computer.**
- 2 **Attach the integrated cable to the camera and the S-video input port on the back of the computer.**

Attach the single plug at one end of the cable to the S-video input port on the back of the computer. Then attach the two plugs at the other end of the cable to the Video Out and DC In ports on the camera.

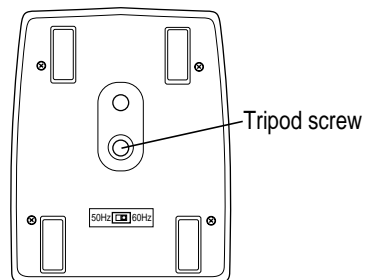


## Positioning the camera

After connecting the camera to your computer, you would typically set it on top of the computer's monitor, pointing at your face.



You can also attach the camera to a tripod.



You can pan the camera (rotate it left or right on its base) as much as 40 degrees in either direction. You can tilt it upward as much as 10 degrees, or downward as much as 20 degrees.



You may also need to adjust the camera to accommodate ambient lighting conditions. For example, it's usually best not to point the camera toward a bright light source, such as an outside window. Any subject in front of such a light source is likely to appear in shadow.

For the best picture in a variety of lighting conditions, use the iris adjustment knob described in the next section, "Using the Camera Controls."

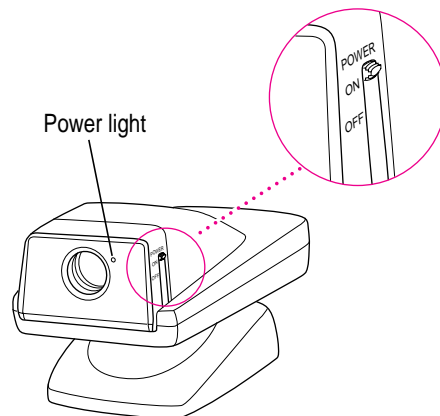
Use the following settings with your videoconferencing software:

- **Video source settings:** built-in AV digitizer, S-Video input, and NTSC format
- **Video image settings:** default settings; use the iris adjustment knob for best results

## Using the camera controls

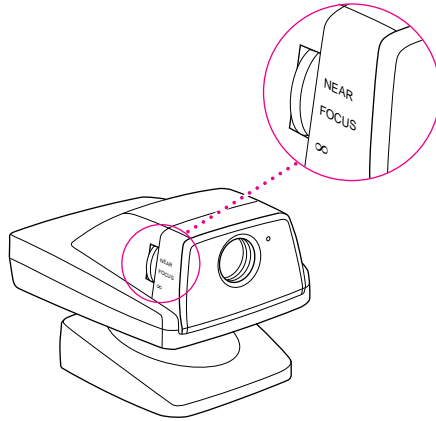
The camera has four simple controls:

### Power switch



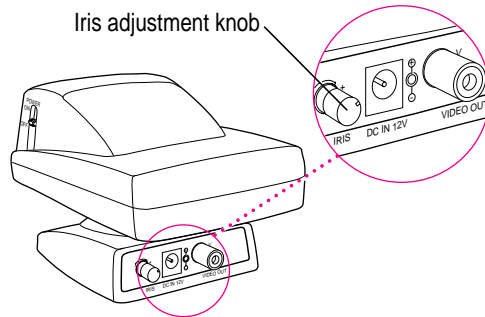
To open the lens cover and turn the camera on, move the power switch to the On position. The power light next to the lens glows green.

### Manual focus dial



The camera can focus from two inches to infinity. Use the manual focus dial to adjust the focus. To learn how to display an image on your screen, see the Apple VideoPhone Guide, available in the Guide (📖) menu when Apple VideoPhone is the active program.

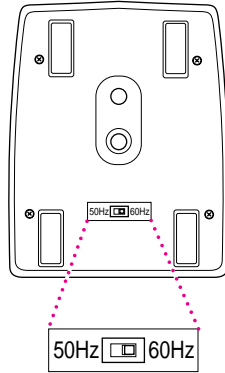
### Iris (aperture)



The iris adjustment knob is on the back of the camera, next to the DC In port. Use this knob to adjust the image brightness for the best picture in different lighting conditions. (For information about software adjustments you can make to improve color, brightness, and contrast, see the Apple VideoPhone Guide, available in the Guide [📖] menu when Apple VideoPhone is the active program.)



### 50 Hz/60 Hz switch



In some countries, indoor lighting uses 50 Hz AC power. If you are using the camera in one of these regions, set this switch to 50 Hz to prevent image flicker.

If you are using a Power Macintosh 7100 AV or 8100 AV computer, videoconferencing performance will improve if you connect your monitor to the standard monitor port on the AV card instead of the built-in high-density monitor port. See the manual that came with your computer for more information.

**IMPORTANT** Depending on which computer you have and the amount of video RAM (VRAM) your computer has, your system may or may not be able to display the Apple VideoPhone video images in color. To display the Apple VideoPhone video images in color, you may have to decrease your monitor resolution, decrease the number of colors displayed, or install additional VRAM. (For more information, see the manual that came with your computer.)

*Note:* If you have two monitors connected to your computer, the Apple VideoPhone video images will appear only on the main monitor. For instructions on how to designate the main monitor, see the manual that came with your computer.

## Installing the software

This section describes how to install the software you need to begin using your Apple VideoPhone Kit. The software is located on the *Apple VideoPhone Kit* CD-ROM disc.

First, start up your computer using the *Apple VideoPhone Kit* CD. To do so, follow these steps:

- 1** Insert the *Apple VideoPhone Kit* CD into your CD-ROM drive.
- 2** Turn your computer off.

The CD-ROM disc will remain in the CD-ROM drive.

- 3** Hold down the C key on your keyboard and restart your computer.

Continue to hold down the key until you see the Welcome to Macintosh message.

**IMPORTANT** If your computer will not start up from the *Apple VideoPhone Kit* CD, you need to specify the CD as the startup disk in the Startup Disk control panel. Open the Apple (🍏) menu and choose Control Panels, then double-click the Startup Disk control panel to open it. In the control panel, click the *Apple VideoPhone Kit* CD icon, then close the control panel and restart your computer.

Once the computer has started up from the CD, install the following software:

- System 7.5.3 (If you are already using system software version 7.5.3 or later, you can skip this step)
- System 7.5.5 Update (You don't need to install this update, but it's highly recommended.)
- Open Transport 1.1.1
- Apple VideoPhone software

You may also want to install Farallon Timbuktu Pro, which enables you to share applications with other Timbuktu Pro users, and Adobe Acrobat™ Reader, which you'll need to read the electronic Timbuktu Pro user's manual.





**IMPORTANT** After you have installed the software you want, you need to restart your computer. If you specified the *Apple VideoPhone Kit* CD as your startup disk in the Startup Disk control panel, you must reset the Startup Disk control panel before you restart your computer.

## Installing System 7.5.3

If system software version 7.5.3 or later is already installed on your computer, you can skip this step.

System 7.5.3 includes all the enhancements introduced in System 7.5, System 7.5 Update 1.0, and System 7.5 Update 2.0. Before you install the system software, see the electronic document “About System 7.5,” available in the System 7.5.3 Software Install folder on the CD.

Before you begin, use the Drive Setup program to update your disk drivers. You may also want to use the Disk First Aid program to test and, if necessary, repair the disk on which you’re going to install the update. (The Drive Setup and Disk First Aid programs are located on the CD, in the Disk Tools folder.)

Follow these steps to install System 7.5.3:

- 1** Open the System 7.5.3 Software Install folder on the CD.
- 2** Double-click the Installer icon to open it.



*Install System 7.5.3 Software*

- 3** Read the message that appears. If you agree to the terms, click Agree.
- 4** In the Easy Install dialog box, make sure the disk named in the Destination Disk section is the one on which you want to install the software. If it isn’t, click Switch Disk until the correct disk name appears.
- 5** Click Install.

All necessary system software is installed on the selected disk.

- 6** When installation is complete, click Quit.

## Installing the System 7.5.5 Update

If the System 7.5.5 Update is already installed on your computer, you can skip this step.

The System 7.5.5 Update is an update to System 7.5.3. It includes system software enhancements that improve the reliability and performance of all Macintosh and Mac OS–based computers that use system software version 7.5.3. For additional information, see the electronic document “About System 7.5.5 Update,” available in the System 7.5.5 Update Install folder on the CD.

Before you begin, you may want to use the Drive Setup program to update your disk drivers. You may also want to use the Disk First Aid program to test and, if necessary, repair the disk on which you’re going to install the update. (The Drive Setup and Disk First Aid programs are located on the CD, in the Disk Tools folder.)

Follow these steps to install the System 7.5.5 Update:

- 1 **Open the System 7.5.5 Update Install folder on the CD.**
- 2 **Double-click the Installer icon to open it.**



*Install System 7.5.5 Update*

- 3 **Read the message that appears. If you agree to the terms, click Agree.**
- 4 **In the Easy Install dialog box, make sure the disk named in the Destination Disk section is the one that contains the system software you want to update. If it isn't, click Switch Disk until the correct disk name appears.**
- 5 **Click Install.**

All necessary system software is installed on the selected disk.

- 6 **When installation is complete, click Quit.**



## Installing Open Transport 1.1.1

After you install the system software, follow these steps to install Open Transport:

- 1 Open the Open Transport 1.1.1 Install folder located on the CD.
- 2 Double-click the Installer icon to open it.



*Install Open Transport 1.1.1*

- 3 Read the message that appears, then click Continue.
- 4 In the Easy Install dialog box, make sure the disk named in the Destination Disk section is the one on which you installed the system software. If it isn't, click Switch Disk until the correct disk name appears.
- 5 Click Install.
- 6 When the installation is complete, click Quit.

## Installing Apple VideoPhone software

After you install Open Transport, follow these steps to install the Apple VideoPhone software:

- 1 Open the Apple VideoPhone Install folder on the CD.
- 2 Double-click the Installer icon to open it, then click Continue.



*Install Apple VideoPhone*

- 3 Read the message that appears. If you agree to the terms, click Agree.
- 4 In the Easy Install dialog box, make sure the disk named in the Destination Disk section is the one on which you want to install the software. If it isn't, click Switch Disk until the correct disk name appears.

- 5 Click Install.
- 6 When the installation is complete, click Quit.

If you don't want to install the optional software—Timbuktu Pro and Acrobat Reader—restart your computer. If you want to install the optional software, go to the next section.

**IMPORTANT** If you specified the *Apple VideoPhone Kit* CD as your startup disk in the Startup Disk control panel, you must reset the Startup Disk control panel before you restart your computer. Open the Apple menu and choose Control Panels, then double-click the Startup Disk control panel to open it. In the control panel, click the name of the disk you normally use as your startup disk, then close the control panel and restart your computer.

### Installing Farallon Timbuktu Pro (optional)

Timbuktu Pro allows you to share your desktop with other Timbuktu Pro users and observe and control their computers while conferencing. (A total of 24 MB of RAM is required to use Timbuktu Pro with Apple VideoPhone.)

To install the Timbuktu Pro software, follow these steps:

- 1 Open the Farallon Timbuktu Pro Install folder on the CD.
- 2 Double-click the Installer icon to open it.



*Install Farallon Timbuktu Pro*

- 3 Read the message that appears, then click Continue.
- 4 In the Easy Install dialog box, make sure the disk named in the Destination Disk section is the one on which you want to install the software. If it isn't, click Switch Disk until the correct disk name appears.
- 5 Click Install.



**6 When the installation is complete, click Quit.**

For information on how to use Timbuktu Pro, see the electronic manual included in the Timbuktu Pro Install folder on the *Apple VideoPhone Kit* CD.

*Note:* To open and read the electronic Timbuktu Pro manual, use the Acrobat Reader software. For information on how to install the Acrobat Reader software, see the next section.

### Installing Adobe Acrobat Reader (optional)

To install the Acrobat Reader software, follow these steps:

**1 Copy the Acrobat Reader Install folder from the CD to your hard disk.**

**2 Restart your computer.**

**IMPORTANT** If you specified the *Apple VideoPhone Kit* CD as your startup disk in the Startup Disk control panel, you must reset the Startup Disk control panel before you restart your computer. Open the Apple menu and choose Control Panels, then double-click the Startup Disk control panel to open it. In the control panel, click the name of the disk you normally use as your startup disk, then close the control panel and restart your computer.

**3 Open the Acrobat Reader Install folder on your hard disk.**

**4 Double-click the Installer icon to open it.**



*Install Adobe Acrobat Reader*

**5 Read the message that appears, then click Continue.**

**6 In the Easy Install dialog box, make sure the disk named in the Install Location section is the one on which you want to install the software. If it isn't, click Switch Disk until the correct disk name appears.**

**7 Click Install.**

**8 When the installation is complete, click Restart.**

## Opening Apple VideoPhone


The Apple VideoPhone program is located on your hard disk, in a folder named Apple VideoPhone. (If you have more than one hard disk, the folder is located on the disk you specified in the Easy Install dialog box.)

To open Apple VideoPhone, double-click its icon.



Apple VideoPhone

*Can't find Apple VideoPhone?* If you can't find the Apple VideoPhone program, you need to install the Apple VideoPhone software. For instructions, see the section "Installing Apple VideoPhone Software," earlier in this booklet.

For onscreen instructions on setting up your equipment and using the Apple VideoPhone program, you can use the Apple VideoPhone Guide. To open the Guide, make sure Apple VideoPhone is the active program; then, open the Guide menu (marked with the  icon) and choose Apple VideoPhone Guide.

To improve the performance of Apple VideoPhone, it's recommended that you turn off virtual memory. To turn off virtual memory, follow these steps:

- 1** Open the Apple menu and choose Control Panels.
- 2** Double-click the Memory control panel to open it.
- 3** In the Virtual Memory section of the Memory control panel, click Off.
- 4** Close the control panel.



## Conferencing over the Internet

This section describes how you can use the Apple VideoPhone Kit and a standard V.34 28.8 modem or ISDN modem to make calls over the Internet.

Before you can access the Internet, you need to register with an Internet Service Provider.

### Registering with an Internet Service Provider

An *Internet Service Provider*, or ISP, is a company that can provide you with Internet access. If you are using an ISDN modem, make sure to tell the provider you choose that you'll be using ISDN to connect to the Internet.

If you already have an account with a service provider, you can use that account.

Once you have an account with a provider, use the Apple Internet Dialer program (located in the Extras folder) to connect to the Internet with your modem.

**IMPORTANT** The Internet Service Provider with whom you register will help you if you have questions about monthly access charges or billing, or if you have trouble connecting to the Internet.

### Setting up the Apple Internet Dialer

Follow these instructions to set up the Apple Internet Dialer:

- 1** Double-click the Apple Internet Dialer icon, located in the Extras folder inside the Apple VideoPhone folder.

*Can't find the Apple Internet Dialer?* If you can't find the Apple Internet Dialer program, you need to install the Apple VideoPhone software. For instructions, see the section "Installing Apple VideoPhone Software," earlier in this booklet.

- 2** The first time you open the Apple Internet Dialer, a welcome message appears. Read the text, then click OK.

- 3 Enter the appropriate information in each panel. You can advance to the next panel by clicking Next.**

Your Internet Service Provider will give you the appropriate information. Please consult your Internet Service Provider directly if you have any questions about what to enter in each panel.

- 4 In the last panel, click OK.**
- 5 In the Modem pop-up menu, choose the name of your modem.**

If you can't find the name of your modem, choose Add/Modify Modem from the Modem pop-up menu to create a new modem option.

- 6 In the Port pop-up menu, choose Modem Port.**

- 7 In the Touch Tone section, click Yes.**

If you are in a region that does not support touch-tone dialing and you are using a standard 28.8 modem, click No.

*Note:* You can't use an ISDN modem in a region that does not support touch-tone dialing.

## Connecting to the Internet

Once you have entered the Internet Service Provider account information into the Apple Internet Dialer, you are ready to connect to the Internet.

To connect to the Internet, follow these instructions:

- 1 If necessary, double-click the Apple Internet Dialer icon.**
- 2 Click Dial Phone.**

When you are connected to the Internet, you can open Apple VideoPhone and connect to other users with Apple VideoPhone or compatible conferencing software.





## Disconnecting from the Internet

To disconnect from the Internet, click Disconnect in the Apple Internet Status window.

**IMPORTANT** When you use the Apple Internet Dialer to connect to the Internet, the dialer automatically replaces the current TCP/IP configuration with settings that are specific to the dialer. When you are done using the dialer, you can restore the previous settings in the TCP/IP control panel. Note that you must restore these settings to continue using your videoconferencing software in a non-Internet network environment.

To restore your previous settings, follow these steps:

- 1 Open the Apple (🍏) menu and choose Control Panels.
- 2 Double-click the TCP/IP control panel to open it.
- 3 Choose Configurations from the File menu.
- 4 Click Default (or the name of the configuration you typically use), then click Make Active.
- 5 Close the control panel.

## Camera technical information

### Lens

- Focal length: 6.0 millimeters (mm)
- F-stop: 2.8
- Focus: Manual (2 inches to infinity)

### Pick-up system

- Image device: 1/3 inch CCD
- Pixels (approx.): Effective: 250,000 (512 x 492)  
Total: 270,000 (542 x 497)

### Sensitivity

- Standard illumination: 1,500 lux
- Minimum illumination: 60 Hertz (Hz) mode: 5 lux  
50 Hz mode: 10 lux
- Maximum illumination: 100,000 lux


**Video output signals**

- Signal type: NTSC composite
- Impedance: 75 ohms
- Level:  $1.0 \pm 20\%$  Vp-p (75 ohms terminated)
- Signal-to-noise ratio: 46 decibels (dB) (weighted)
- Horizontal resolution: 320 TV lines (center portion)

**Power**

- Voltage: DC 11 ~ 16 volts (V)
- Consumption: 1.9 watts (W) (typical)


**Connectors**

- DC input: 5.5-mm diameter 
- Video output: RCA standard jack

**General**

- Weight: Approx. 200 grams
- Size (mm): 75 (height) x 75 (width) x 124 (depth)
- White balance: Automatic  
(control range 2,700° Kelvin [K] ~ 6500° K)
- Exposure: Automatic (use iris adjustment knob to adjust the aperture manually)
- Cable length: Integrated cable, 8 feet

**AC power adapter**

- Voltage: DC 11 ~ 16 V
- Consumption: Approx. 1.9 W (typical)
- DC input: 5.5-mm diameter 



## Communications regulation information

### FCC statement

This equipment has been tested and found to comply with the limits for a Class B digital device in accordance with the specifications in Part 15 of FCC rules. See instructions if interference to radio or television reception is suspected.

### Radio and television interference

The equipment described in this manual generates, uses, and can radiate radio-frequency energy. If it is not installed and used properly—that is, in strict accordance with Apple’s instructions—it may cause interference with radio and television reception.

This equipment has been tested and found to comply with the limits for a Class B digital device in accordance with the specifications in Part 15 of FCC rules. These specifications are designed to provide reasonable protection against such interference in a residential installation. However, there is no guarantee that interference will not occur in a particular installation.

You can determine whether your computer system is causing interference by turning it off. If the interference stops, it was probably caused by the computer or one of the peripheral devices.

If your computer system does cause interference to radio or television reception, try to correct the interference by using one or more of the following measures:

- Turn the television or radio antenna until the interference stops.
- Move the computer to one side or the other of the television or radio.
- Move the computer farther away from the television or radio.
- Plug the computer into an outlet that is on a different circuit from the television or radio. (That is, make certain the computer and the television or radio are on circuits controlled by different circuit breakers or fuses.)

If necessary, consult an Apple-authorized service provider or Apple. See the service and support information that came with your Apple product. Or, consult an experienced radio/television technician for additional suggestions.

**IMPORTANT** Changes or modifications to this product not authorized by Apple Computer, Inc., could void the FCC Certification and negate your authority to operate the product.

This product was tested for FCC compliance under conditions that included the use of Apple peripheral devices and Apple shielded cables and connectors between system components. It is important that you use Apple peripheral devices and shielded cables and connectors between system components to reduce the possibility of causing interference to radios, television sets, and other electronic devices. You can obtain Apple peripheral devices and the proper shielded cables and connectors through an Apple-authorized dealer. For non-Apple peripheral devices, contact the manufacturer or dealer for assistance.

### **Industry Canada statement**

This Class B device meets all requirements of the Canadian Interference-Causing equipment regulations.

Cet appareil numérique de la Class B respecte toutes les exigences du Règlement sur le matériel brouilleur du Canada.

### **VCCI Class 2 statement**

#### 情報処理装置等電波障害自主規制について

この装置は、第二種情報装置（住宅地域又はその隣接した地域において使用されるべき情報装置）で住宅地域での電波障害防止を目的とした情報処理装置等電波障害自主規制協議会（VCCI）基準に適合しております。

しかし、本装置をラジオ、テレビジョン受信機に近接してご使用になると、受信障害の原因となることがあります。

取扱説明書に従って正しい取り扱いをしてください。





Apple  
VideoPhone Kit



*Installation Manual*

 Apple Computer, Inc.

© 1996 Apple Computer, Inc. All rights reserved.

Under the copyright laws, this manual may not be copied, in whole or in part, without the written consent of Apple. Your rights to the software are governed by the accompanying software license agreement.

The Apple logo is a trademark of Apple Computer, Inc., registered in the U.S. and other countries. Use of the “keyboard” Apple logo (Option-Shift-K) for commercial purposes without the prior written consent of Apple may constitute trademark infringement and unfair competition in violation of federal and state laws.

Every effort has been made to ensure that the information in this manual is accurate. Apple is not responsible for printing or clerical errors.

Apple Computer, Inc.  
1 Infinite Loop  
Cupertino, CA 95014-2084  
408-996-1010  
<http://www.apple.com>

Apple, the Apple logo, Mac OS, Macintosh, Power Macintosh, and QuickTime are trademarks of Apple Computer, Inc., registered in the U.S. and other countries.

Disk First Aid is a trademark of Apple Computer, Inc.

Adobe and Acrobat are trademarks of Adobe Systems Incorporated or its subsidiaries and may be registered in certain jurisdictions.

PowerPC and the PowerPC logo are trademarks of International Business Machines Corporation, used under license therefrom.

UNIX is a registered trademark in the United States and other countries, licensed exclusively through X/Open Company, Ltd.

Simultaneously published in the United States and Canada.

Mention of third-party products is for informational purposes only and constitutes neither an endorsement nor a recommendation. Apple assumes no responsibility with regard to the performance or use of these products.