



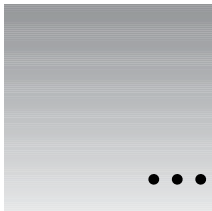
Apple

# LaserWriter 8500

---

*Duplex printing unit installation instructions*





## Installing the Duplex Printing Unit

With the optional duplex printing unit, you can print on both sides of the paper (often called *duplex printing* or *two-sided printing*). You can only use duplex printing from the paper cassettes. You cannot use duplex printing from the multipurpose tray.

Before you install the duplex printing unit:

- The printer must be turned off and the power cord unplugged.
- The printer must be disconnected from your computer or network.

The duplex printing unit adds approximately four inches to the height and two inches to the depth of the printer. Begin by selecting a location for the printer that provides enough room to accommodate the increased height and depth of the printer.

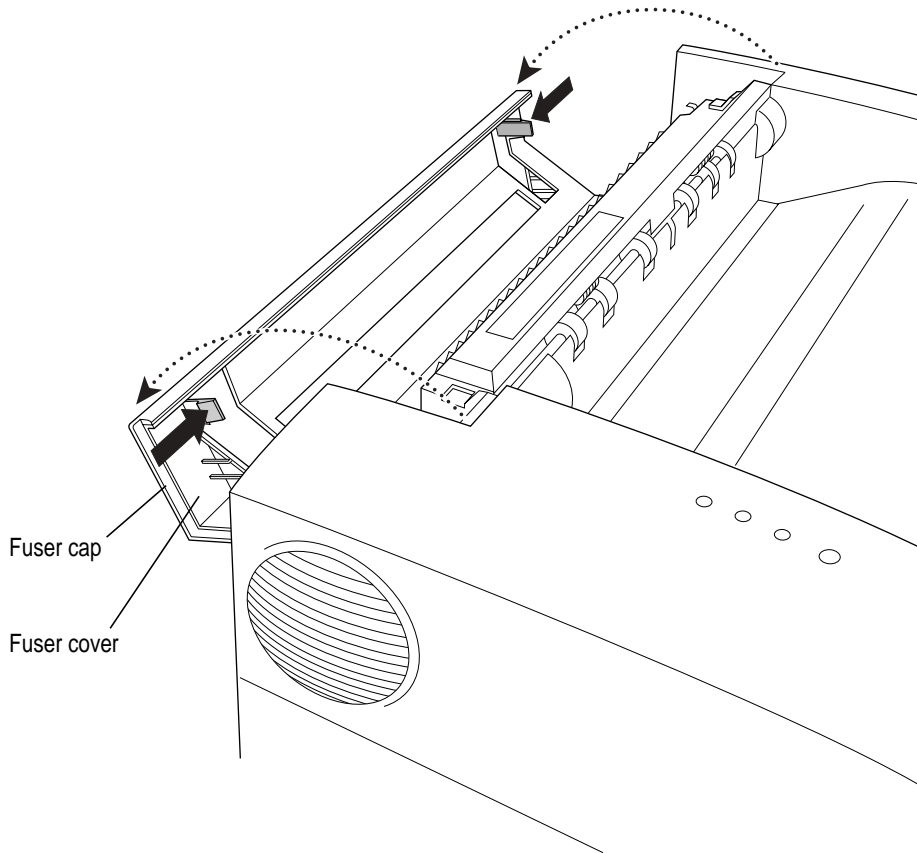
If you intend to keep the printer in its current location, make sure that adequate room is available for opening the top cover and the duplex printing unit door and maintaining the printer.

Follow these instructions for installing the duplex printing unit.

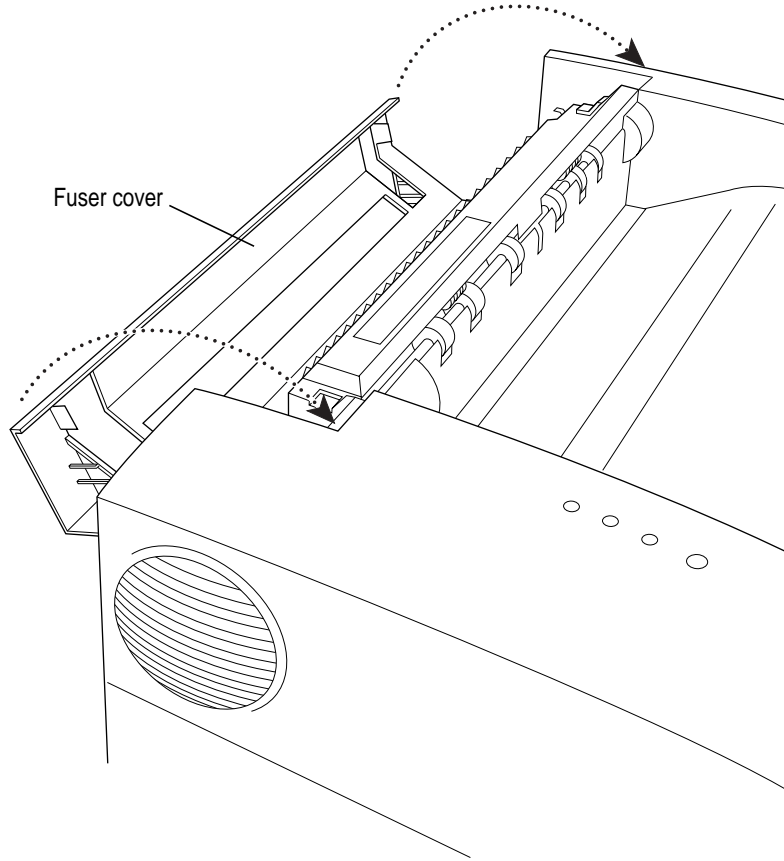
- 1 Turn off and unplug the printer and disconnect the network cables.**
- 2 Unpack the duplex printing unit and remove any packing materials and packing tape.**

Be sure to remove the packing tape on the sides and top of the duplex printing unit.

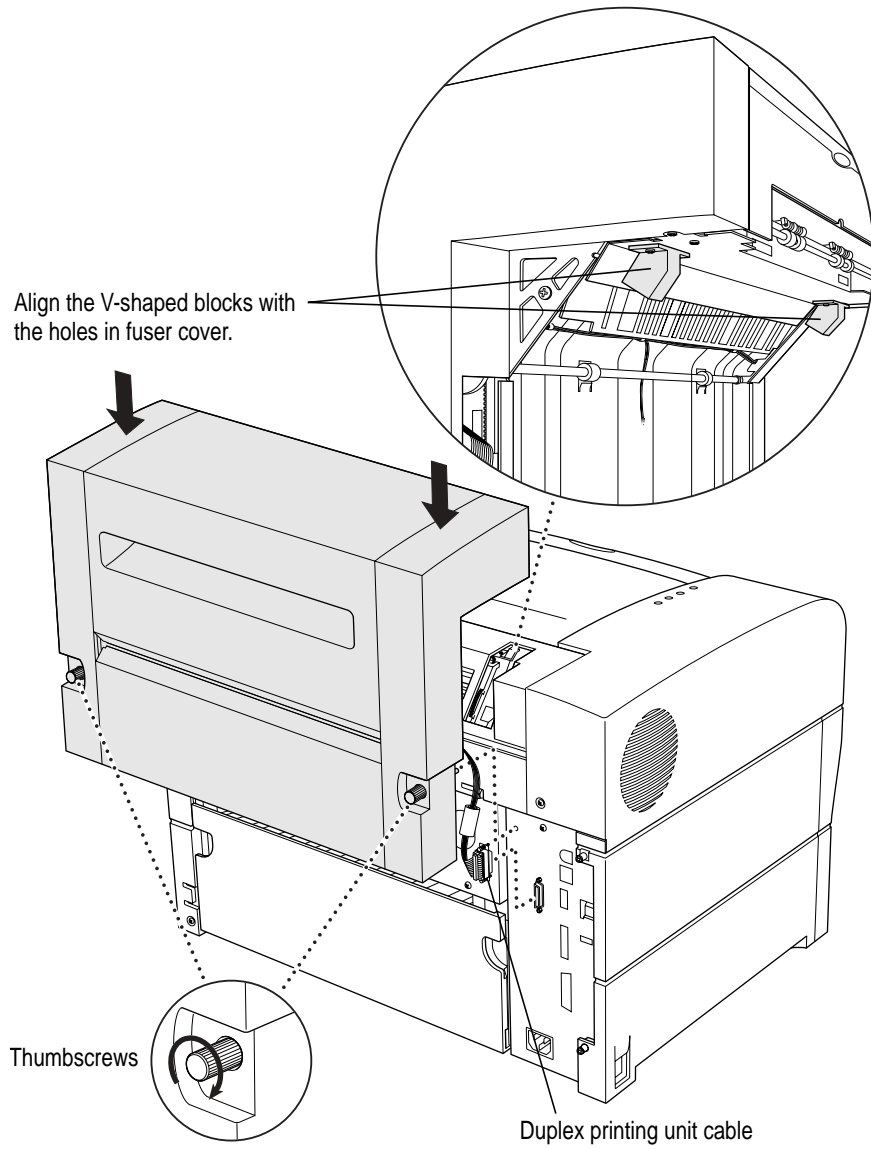
- 3 Open the fuser cover.**



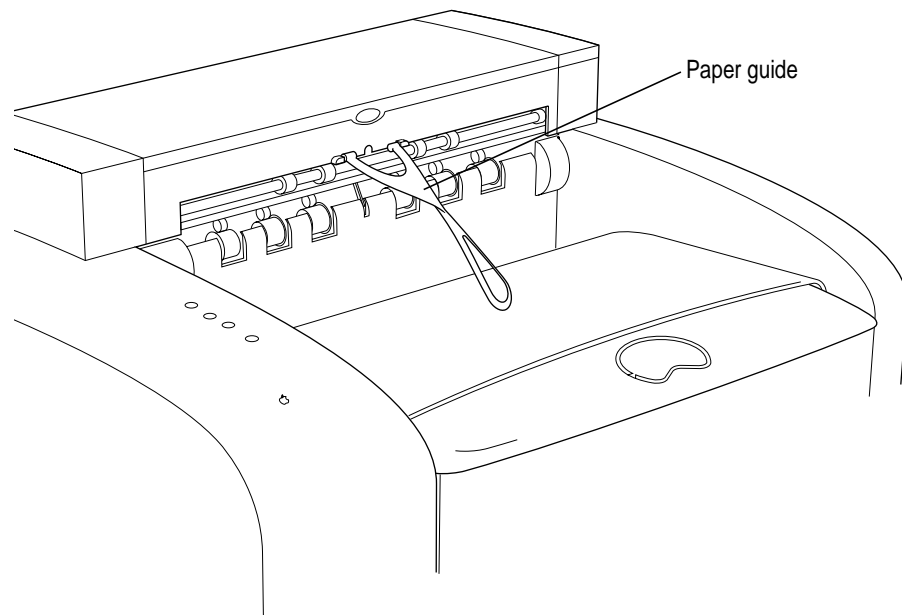
- 4 Push in the two tabs to remove the fuser cap and close the fuser cover.



- 5** Align the V-shaped blocks under the duplex printing unit with the holes located on the fuser cover and gently place the duplex printing unit on top of the printer.



- 6** Tighten the two thumbscrews located on the back of the duplex printing unit.
- 7** Attach the duplex printing unit cable to the back of the printer and tighten the two thumbscrews on the connector.  
  
See the previous illustration for the location of the duplex printing unit connector on the printer.
- 8** Insert the paper guide into its receiving tabs.



- 9** Reconnect the power cord to the printer and reconnect the printer to the network. Then turn on the printer.

The startup page shows a duplex printing unit icon if the duplex printing unit is installed properly.

If the icon does not appear, or if the startup page comes from the printer's paper rollers instead of the duplex printing unit's paper rollers, then the duplex printing unit is not installed properly.

*Note:* If no startup page appears, use the Apple Printer Utility for the Mac OS or the Apple LaserWriter Utility for Windows to see if the startup page is turned off. For more information on using these utilities, see Appendix A of the *LaserWriter 8500 User's Manual*.

**10 Configure your printer to use the duplex printing unit.**

For configuration instructions, see “Configuring Your Printer Software for New Options,” in Chapter 5 of the *LaserWriter 8500 User’s Manual*.

For information about printing options:

- See Chapter 6 of the *LaserWriter 8500 User’s Manual* if you are using the Mac OS.
- See Chapter 7 of the *LaserWriter 8500 User’s Manual* if you are using Windows 3.1 or DOS.
- See Chapter 8 of the *LaserWriter 8500 User’s Manual* if you are using Windows 95 or Windows NT.