

Installing the 500-Sheet Feeder and Cassette

Follow these instructions to install the 500-sheet A3 feeder and cassette or the 500-sheet letter/A4 feeder and cassette. For instructions on loading the feeder with paper, see Chapter 1 of the *LaserWriter 8500 User's Manual*.

Before you install the 500-sheet feeder and cassette:

- The printer must be turned off and the power cord unplugged.
- The printer must be disconnected from your computer or network.

You can add two 500-sheet feeders and cassettes to the printer. Each cassette base adds approximately five inches to the height of the printer. Begin by selecting a location for the printer that provides enough room to accommodate the increased height of the printer.

If you intend to keep the printer in its current location, make sure that you have enough room for opening the top cover, loading paper, and maintaining the printer. You will also need to move the printer temporarily to set the cassette base in place. When moving the printer, be sure to place it on a strong, stable surface that can support its weight.

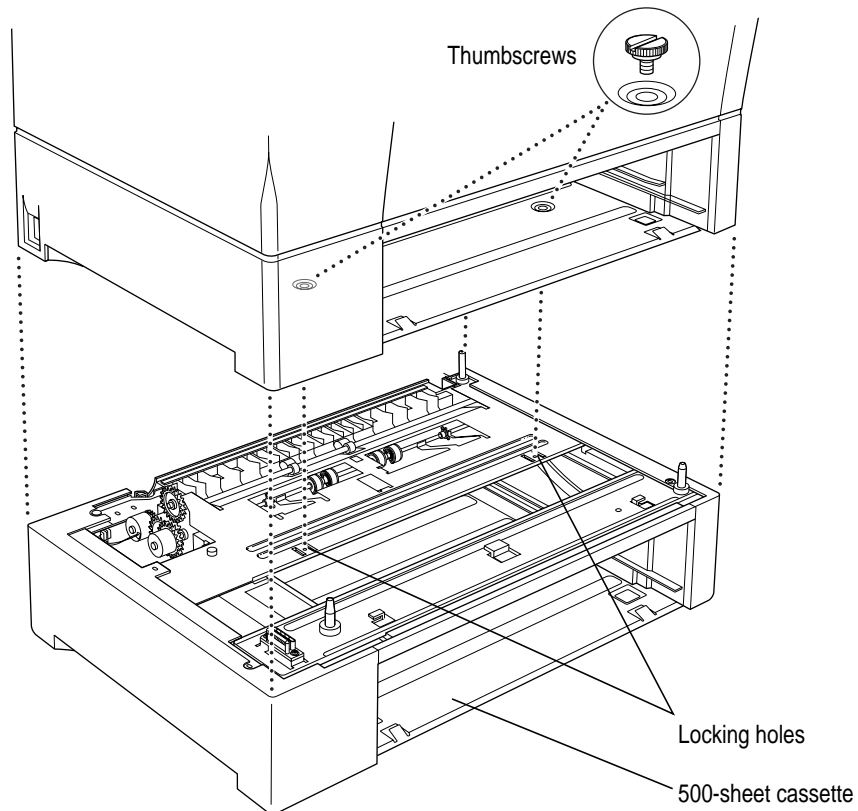
IMPORTANT The printer weighs approximately 60.5 pounds (approximately 27.5 kilograms). Don't lift it by yourself.

To install the 500-sheet feeder and cassette, follow these steps:

- 1 Turn off and unplug the printer and disconnect the network cables.**
- 2 Remove the paper cassette from the printer.**
- 3 Unpack the 500-sheet feeder and cassette and remove any packing materials and packing tape within its base and paper cassette. Set the two thumbscrews aside.**
- 4 Place the 500-sheet feeder and cassette where you want the printer to be located.**

Orient the 500-sheet feeder and cassette so that its paper cassette and the printer's multipurpose tray and paper cassette will be on the same side when the printer is attached.

- 5 Lift the printer and position it directly over the 500-sheet feeder and cassette. Align the four corners of the printer with the four corners of the feeder. Gently lower the printer until it sits evenly on the cassette base.**



- 6** Locate the two thumbscrews that came with the 500-sheet feeder and cassette.
- 7** Insert the two thumbscrews into the locking holes inside the printer (where the paper cassette sits) and tighten them.

These screws secure the printer to the feeder.

- 8** Insert the paper cassettes into the printer and the 500-sheet feeder and cassette.
- 9** Reconnect the power cord to the printer and reconnect the printer to the network. Then turn on the printer.

Note: The first time you turn on the printer after installing the 500-sheet feeder and cassette, you may hear a noise as the gears align.

- 10** Configure your printer software to use the 500-sheet feeder and cassette.

For configuration instructions, see “Configuring Your Printer Software for New Options,” in Chapter 5 of the *LaserWriter 8500 User’s Manual*.

For instructions on loading paper into the feeder, see Chapter 1 of the *LaserWriter 8500 User’s Manual*.

For information about printing options:

- See Chapter 6 of the *LaserWriter 8500 User’s Manual* if you are using the Mac OS.
- See Chapter 7 of the *LaserWriter 8500 User’s Manual* if you are using Windows 3.1 or DOS.
- See Chapter 8 of the *LaserWriter 8500 User’s Manual* if you are using Windows 95 or Windows NT.

Installing a second 500-sheet feeder and cassette

To install a second 500-sheet feeder and cassette, follow the above instructions. Instead of locking the printer and the 500-sheet feeder and cassette together (see step 7), lock the two 500-sheet feeders and cassettes together with the thumbscrews.

- **Insert the two thumbscrews into the locking holes inside the top 500-sheet feeder and cassette (where the paper cassette sits) and tighten.**

Removing the 500-sheet feeder and cassette

To remove the 500-sheet feeder and cassette, follow these steps:

- 1 Remove the cassettes from the printer and the 500-sheet feeder and cassette.**
- 2 Remove the two locking thumbscrews. The thumbscrews are located inside the printer, where the paper cassette sits.**
- 3 Gently lift the printer from the 500-sheet feeder and cassette and place it on a flat and stable surface.**
- 4 Reinsert the paper cassette into the printer.**
- 5 Configure your printer software to remove the 500-sheet feeder and cassette.**





Apple

LaserWriter 8500

.....
500-sheet feeder and cassette installation instructions

