



Read This First



*For updated instructions
for the Apple Video System*

C O N T E N T S

.....

**Update to the Apple Video System
User's Guide 1**

What you should have 2

Installing the video input card in a dual PCI-slot
tower computer 3

Installing the video input card in a compact or modular
computer 13

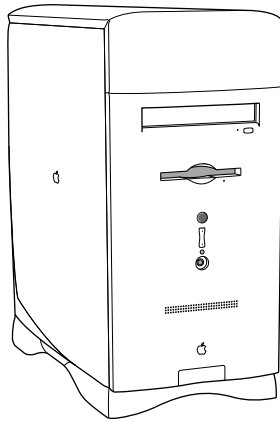
Installing the software 14

Adjusting the picture 15

Troubleshooting 16

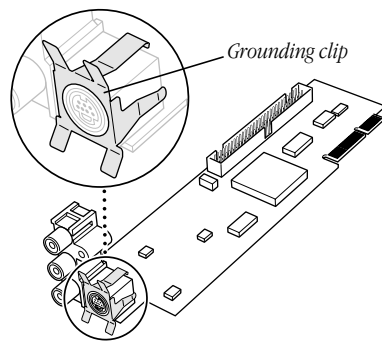
Update to the Apple Video System User's Guide

This document contains instructions for installing your video input card into a dual PCI-slot tower Macintosh computer, shown below. It also contains four sections that update your *Apple Video System User's Guide*. When you reach the corresponding sections in your user's guide, return to this update first for information. You may want to mark the relevant section in your user's guide now.



What you should have

In addition to the items shown in your manual in the section “What You Should Have,” in Chapter 1, make sure you have the metal grounding clip for the video input card (as shown).



Note The grounding clip may be attached to the video input card, or it may be a separate piece in your package.

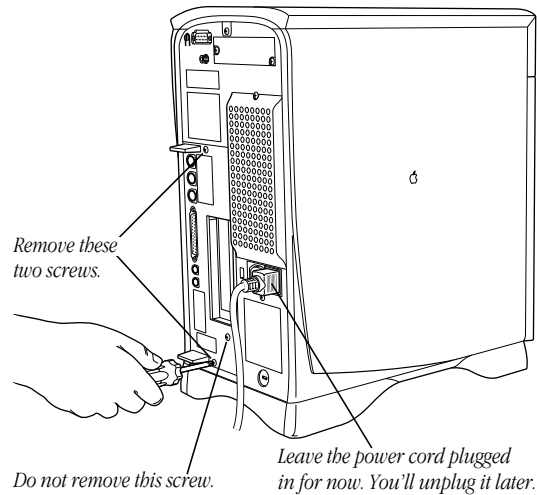
Installing the video input card in a dual PCI-slot tower computer

If you have a dual PCI-slot tower model Macintosh computer like the one in the following illustration, follow the instructions in this section to open the computer and install the video input card.

If you have a compact computer (a computer with a built-in monitor) or a modular computer (a computer with a separate monitor) other than the tower shown here, go to the next section, “Installing the Video Input Card in a Compact or Modular Computer.”

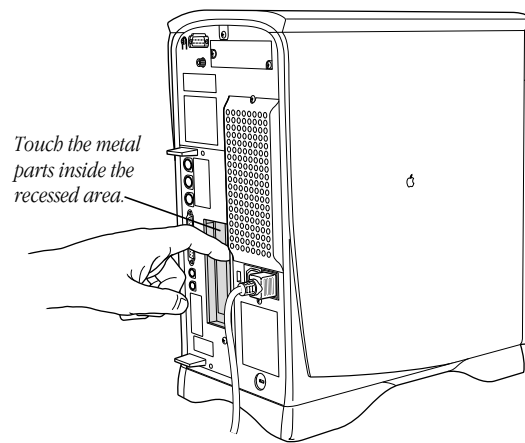
The computer should be plugged in and turned off when you follow these steps.

- 1 Unscrew and remove the two screws on the left side of the computer’s back panel.

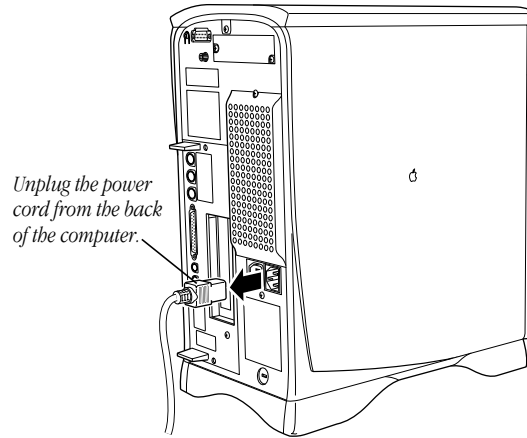


- 2 Touch the metal parts in the recessed area on the back panel.

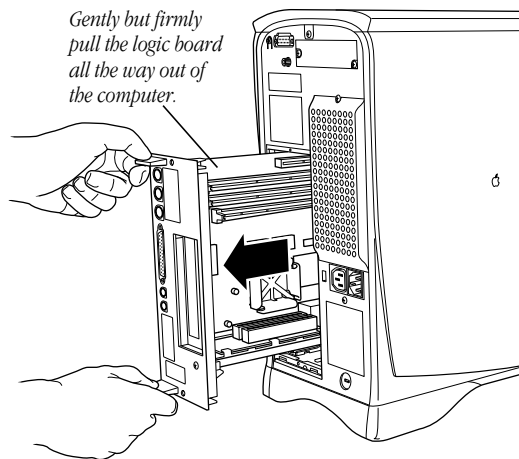
This discharges any static electricity from your body and protects the computer's electronic components from damage.



- 3** Unplug the power cord from the computer.

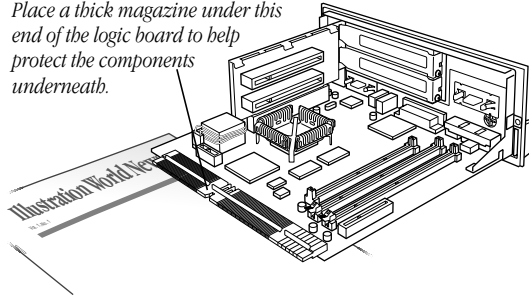


- 4** Grasp the plastic tabs on the left side of the back panel and gently but firmly slide the logic board out of the computer.



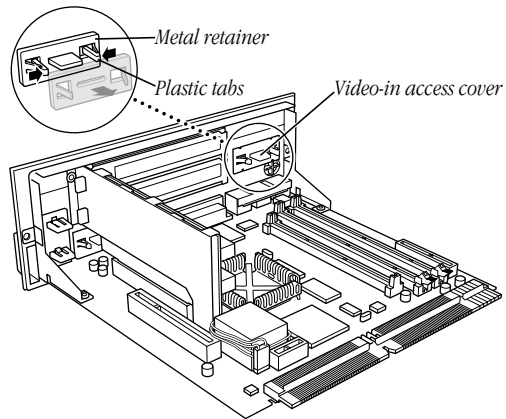
- 5 Place the logic board on a clean, flat, stable surface. Rest the connector end on a thick magazine to protect the components underneath.

*Rest the logic board on a clean, flat, stable surface.
Place a thick magazine under this
end of the logic board to help
protect the components
underneath.*



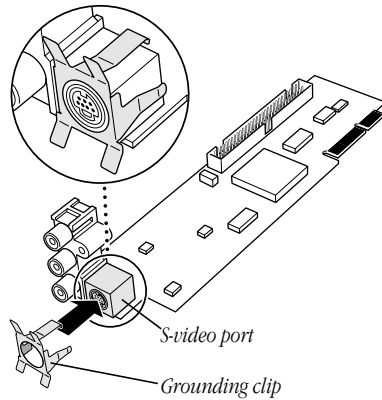
Important To avoid generating static electricity that may damage components, do not walk around the room until you have finished installing the video input card and closed the computer. Move the logic board as little as possible while it is outside the computer.

- 6** Locate the video-in access cover on one side of the back panel. Remove the cover by squeezing together the plastic tabs that hold it in place.

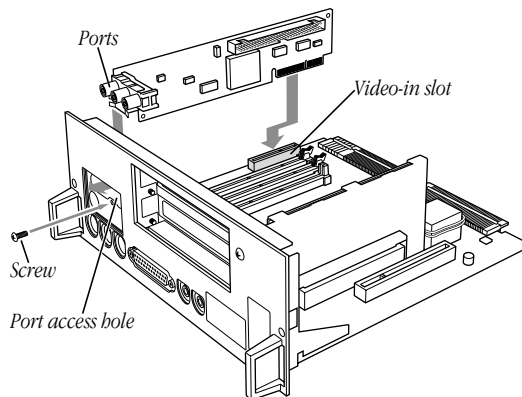


- 7** Remove the video input card from its static-proof bag. Hold the card by its edges to avoid touching the connectors.

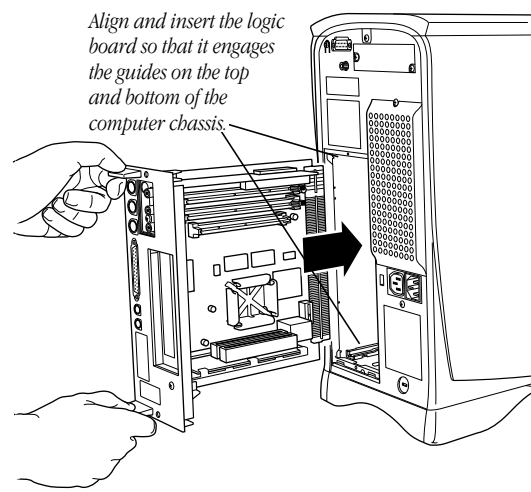
- 8** Attach the grounding clip to the S-video port of the video input card, if it isn't attached already.



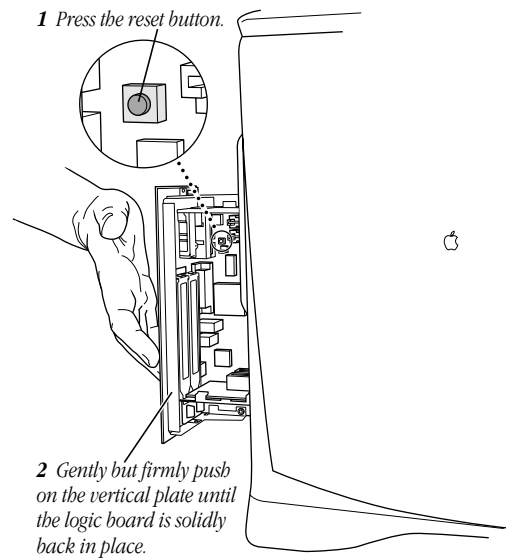
- 9** Plug the video input card into the video-in slot on the logic board. Fit the three ports on the end of the card into the port access hole you uncovered in step 6. Make sure the card is firmly seated in the slot.



- 10** Screw the card to the back panel of the logic board with the attachment screw provided.
- 11** Holding the plastic tabs on the left side of the back panel, fit the logic board into the the guide rails on the top and bottom of the computer's interior.

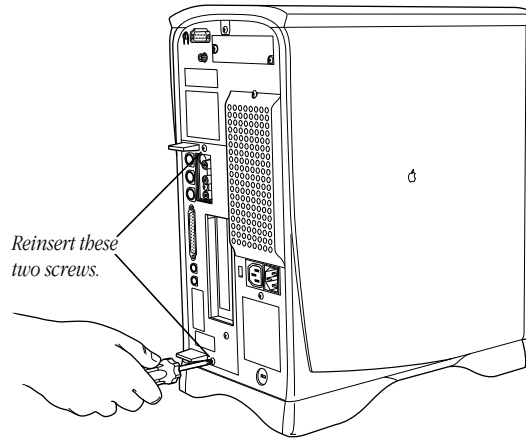


- 12** Press the reset button on the logic board. Then gently but firmly push the back panel so the logic board slides into the computer. You need to push a little harder at the end to make sure the connectors at the back of the logic board are seated in their slot.

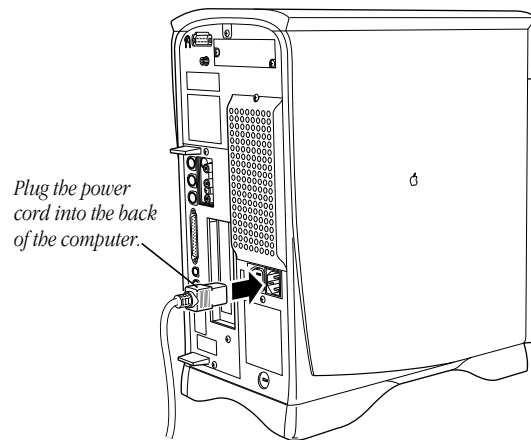


Note When you press the reset button, some of your computer's software settings will change. You may want to open the control panels for the date and time, keyboard, and mouse to make sure they are set the way you want them. For more information about working with control panels, see Macintosh Guide, the on-screen help that's available in the Guide (🔍) menu.

13 Reinsert the two screws you removed in step 1.



14 Plug the power cord into the back of the computer.

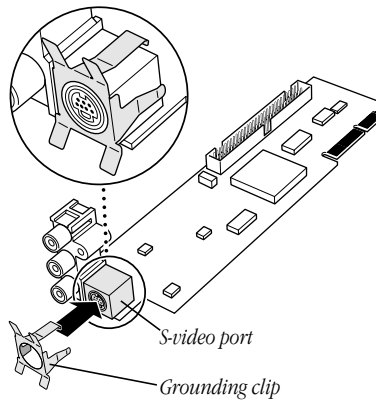


Now go to the section “Connecting Video Equipment” in Chapter 1 of the video card’s manual. Then follow the instructions for connecting the video input card to a VCR, a laserdisc player, or other video equipment.

Refer to the rest of this booklet for instructions that update your video input card’s manual.

Installing the video input card in a compact or modular computer

- 1** Follow the instructions in your manual up to and including the step (in the section called “Installing the Video Input Card” in Chapter 1) that tells you to remove the video input card from its static-proof bag. Then return to this update.
- 2** Attach the grounding clip to the S-video port of the video input card, if it isn’t attached already.



- 3** Continue the installation process as shown in your manual. Start with the step following the one where you removed the card from the static-proof bag. Make sure the grounding clip stays attached to the video input card when you install it.

Installing the software

When you get to the section “Installing the Software,” in Chapter 1 of your manual, follow these updated instructions to install the Apple Video Player application.

- 1 Start the computer.
- 2 Insert the first disk of the *Video Software Installer* disk set into the floppy disk drive.
- 3 Double-click the disk icon to open it.
- 4 Double-click the Installer icon.



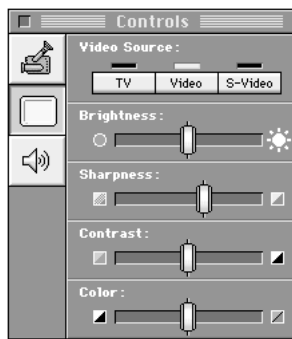
- 5 Click Install.
- 6 Follow the instructions on the screen.
The instructions on the screen tell you when you need to insert other disks.
- 7 When the installation is complete, click Restart.

You can now find the Apple Video Player icon in the Apple Video Player folder, in the Apple Extras folder on your hard disk.



Adjusting the picture

The video controls in the Apple Video Player software that comes in your package look a little different from the ones shown in the manual. Instead, they look like those shown here:



Although these controls look different from those in your manual, they work just as your manual says: you drag the sliders to adjust the picture to your liking.

Troubleshooting

Your manual contains a chapter called “Troubleshooting” that gives you instructions for what to do if you have problems using the hardware and software in this package.

If you can't find the solution to your problem in the troubleshooting chapter (or anywhere else in the manual), you may be able to find it here.

You don't hear any sound.

- Adjust the volume slider in the video window, or the volume controls on the front of your computer if you have them.
- Check the sound-related control panel on your computer to see if the volume has been turned off. For instructions on turning the sound back on in the control panel, choose Macintosh Guide from the Guide (📖) menu. (Make sure that you're in the Finder first.) If you don't have Macintosh Guide, see the manuals that came with your computer for information on your computer's sound-related control panel.

The following items apply if you have video equipment (such as a VCR) connected to the video input card:

The image is too white or too dark.

- Adjust the video screen controls. (Choose Show Controls Window from the Windows menu and click the video screen icon.)
- If you have a VCR connected to your video input card, make sure you're not having a problem with the videotape or the VCR itself. Connect the VCR back to your TV and play the tape to see if the image is still bad.

- The voltage output of your video equipment may be too high or too low for the video input card. Therefore, your video equipment may be sending video signals that are too strong (causing a white picture) or too weak (causing a very dark picture) for the video input card. Try connecting different video equipment to the card.

You have a dark or “rolling” picture.

- Adjust the video screen controls. (Choose Show Controls Window from the Windows menu and click the video screen icon.)
- If you have a VCR connected to your video input card, make sure you’re not having a problem with the videotape or the VCR itself. Connect the VCR back to your TV and play the tape to see if the image is still bad.
- If your VCR is connected to a TV monitor *and* to the video input card, make sure that your cables go in this order: the first cable must go from the video out port on the VCR to the video in port on the TV monitor; the second cable must go from the TV monitor video out port (or loop-through video input port, whichever your TV monitor has) to the computer’s video input card. (The connection must *end* at the video input card, not the TV monitor.) Also check that your TV monitor is set to loop-through (also known as “Hi-Z”) input.

The sound is intermittent or clipped.

- Turn down the volume controls on your video equipment. They may be set too high for the video input card.
- The voltage output of your video equipment may be too high for the video input card. Therefore, your video equipment may be sending signals that are too strong for the video input card. Try connecting different video equipment to the card.

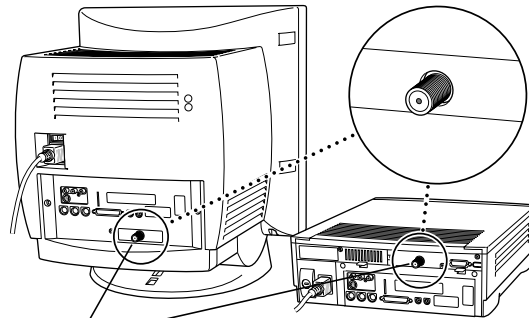
The sound is full of static.

- Be sure your video equipment is securely connected to the appropriate ports on the video input card.
- Adjust the sound controls in the Controls window. (Choose Show Controls Window from the Windows menu and click the sound icon.)
- Turn up the volume controls on your video equipment.

You're playing a videotape with closed captions, but the closed captions do not appear.

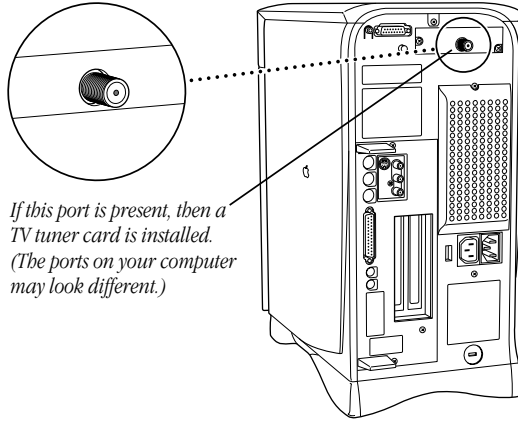
- To view a videotape with closed captions, you must connect your VCR to a TV tuner port, not to the video input card. If you do not have a TV tuner card in your computer, you can purchase one from an Apple-authorized dealer. Then follow the instructions that come with the TV tuner card to see how to view closed captions on videotape.

If your computer has a built-in monitor, the TV tuner port (if you have one) is as shown in the computer on the left. If your computer has a separate monitor, the TV tuner port is as shown in the computer on the right.



*If this port is present, then a TV tuner card is installed.
(The ports on your computer may look different.)*

If you have a dual PCI-slot tower computer, the TV tuner port is as shown in this illustration.



*If this port is present, then a TV tuner card is installed.
(The ports on your computer may look different.)*



© 1996 Apple Computer, Inc. All rights reserved.
Apple, the Apple logo, and Macintosh are trademarks of
Apple Computer, Inc., registered in the U.S. and other countries.

030-9916-A
Printed in U.S.A.